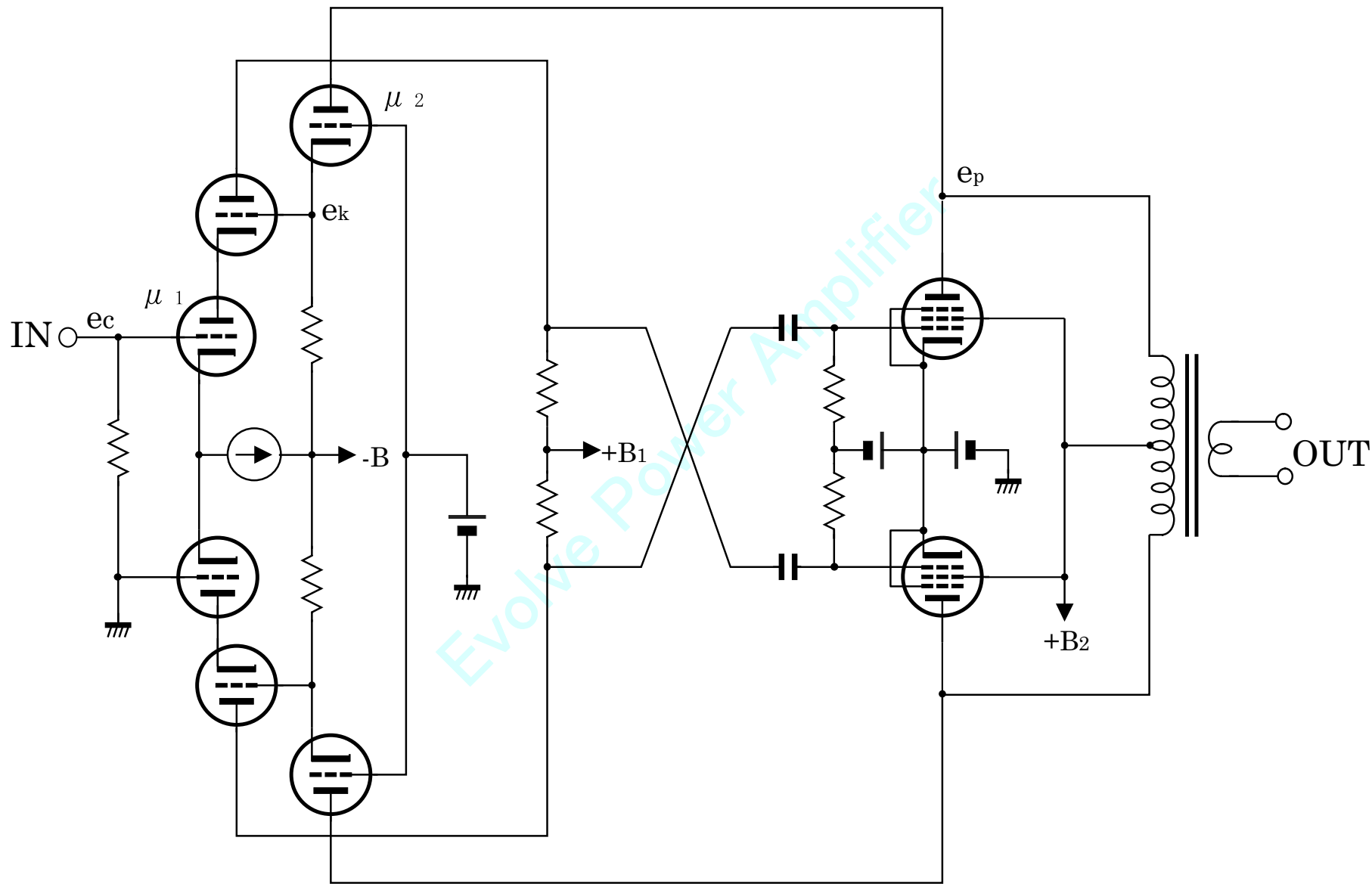


[図4] 超3結VX改



$$A_p = \frac{e_p}{e_c} = \mu_1 (1 + \mu_2) , \quad e_k = \frac{e_p}{1 + \mu_2}$$